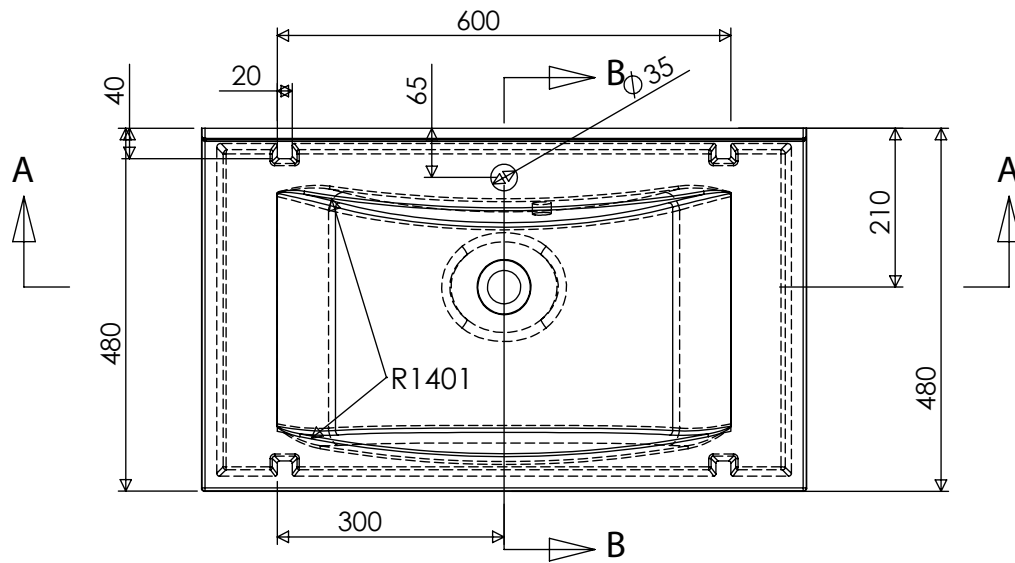
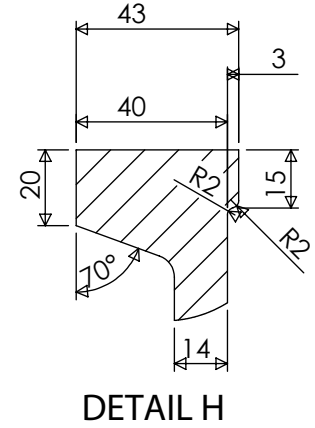
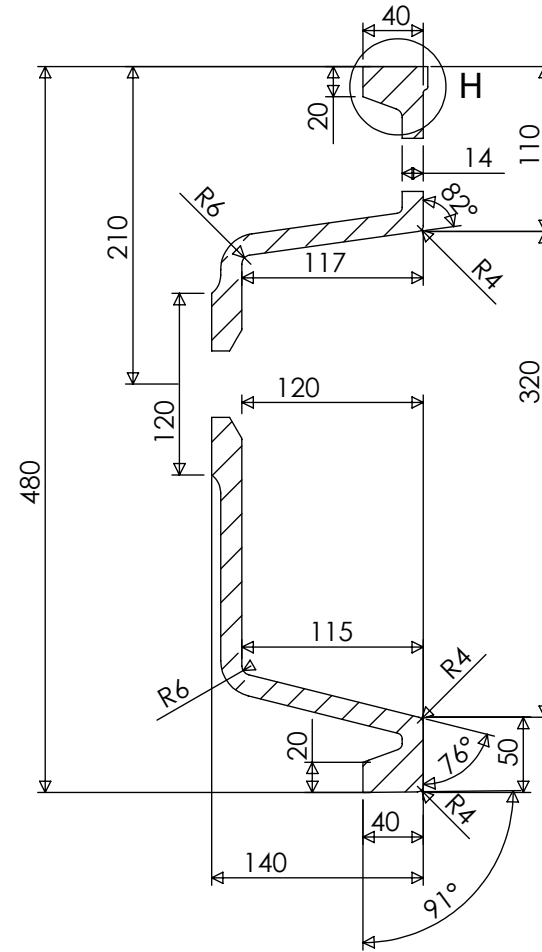


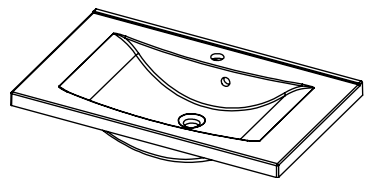
SECTION A-A



SECTION B-B



DETAIL H



**50081**