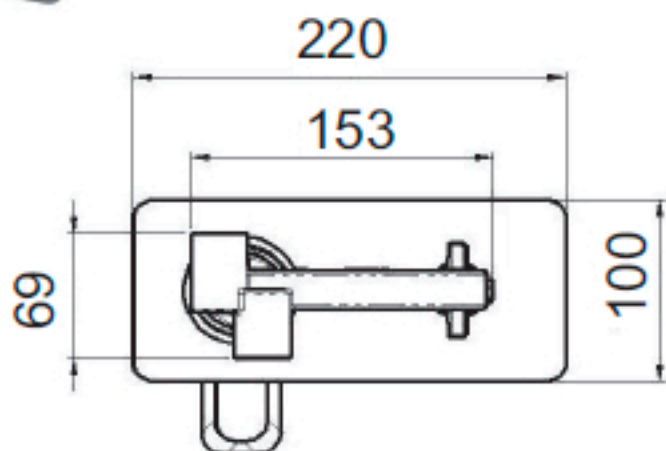
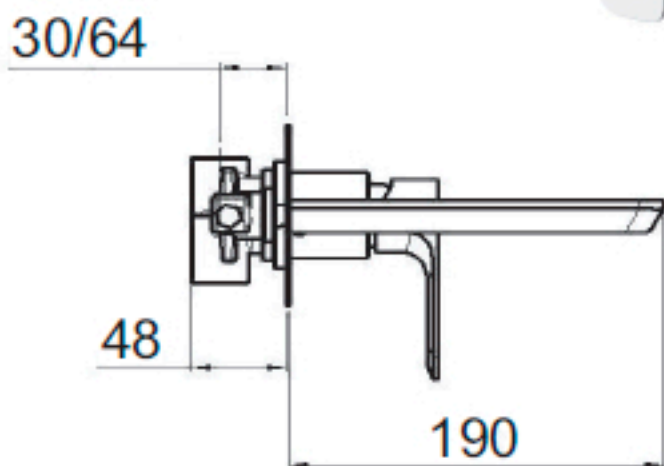
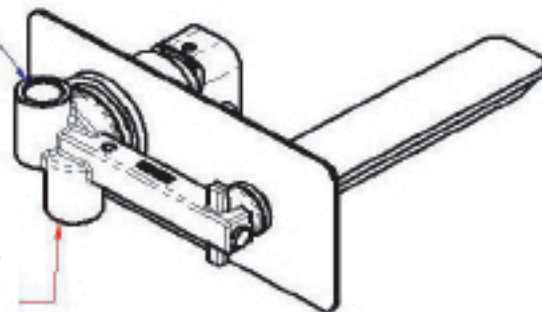


# PY08



FREDDA  
COLD  
G1/2

CALDA  
HOT  
G1/2



## **MATERIALI / MATERIALS**

OTTONE CROMATO / CHROME PLATED BRASS

## **CROMATURA / CHROME PLATING**

UNI EN 248