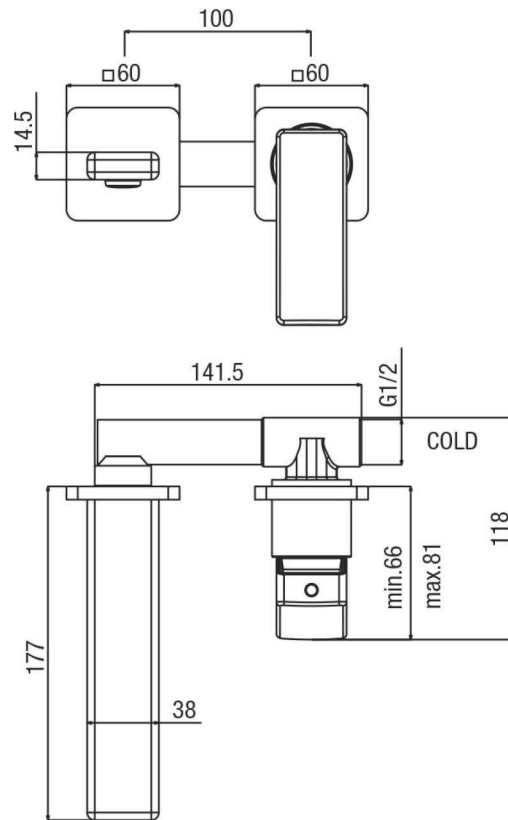




 CR 023



NA79876/17