



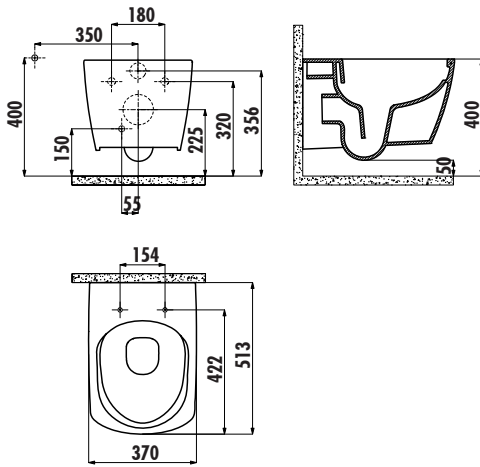
## EG321

### Wall Hung Pan

|           |  |
|-----------|--|
| TP321     | Wall Hung Pan with Hole                      |
| KC5030.00 | Elegant Duroplast<br>Soft Closing Seat&Cover |

|                |              |
|----------------|--------------|
| Qty of Pallet: | Pan 18       |
| Qty of Box:    | Pan 1        |
| Weight:        | Pan 24.58 kg |

#### TECHNICAL DRAWING



#### SPECIFICATIONS



Creavit keeps its rights of making any change to the products.



Quality Management Systems



Customer Satisfaction Certificate



Environmental Management System



Occupational Safety & Health Management System

LGA

Germany Accreditation Certificate

kiwa

Netherlands Accreditation Certificate

GOST - R

Russia Accreditation Certificate

UkrSEPRO

Ukraine Accreditation Certificate



Israel Accreditation Certificate



Nigeria Accreditation Certificate



European Accreditation Certificate



Turkish Accreditation Certificate